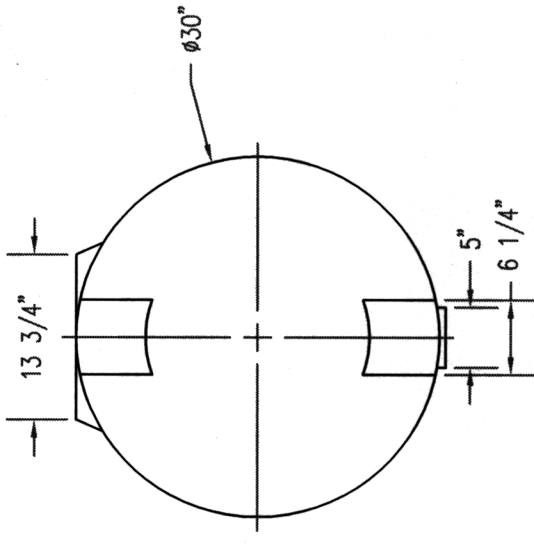
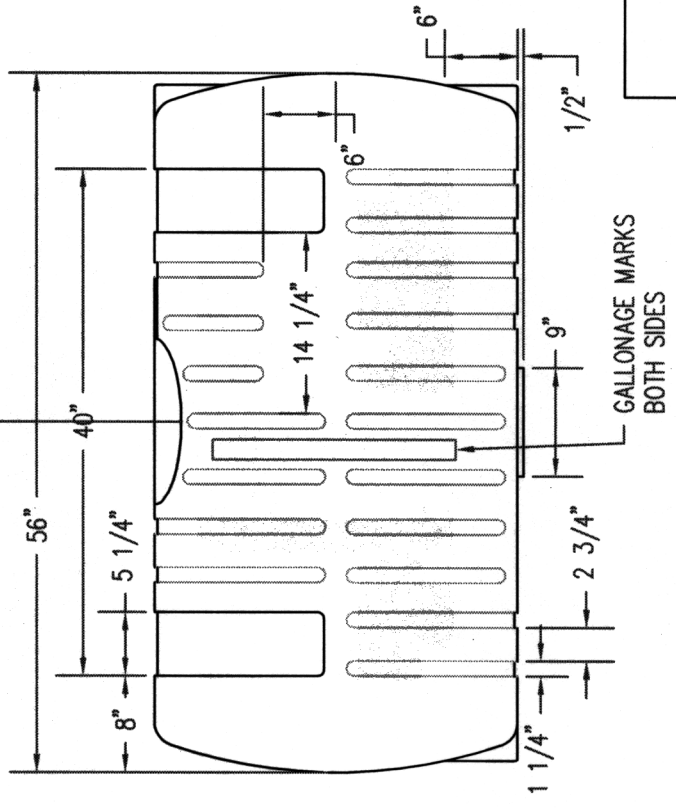
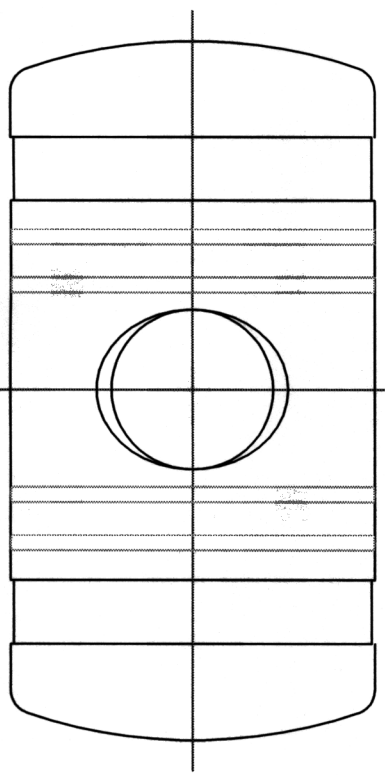


REVISIONS

ZONE	REV	DESCRIPTION	DATE	APPROVED



NORWESCO
ST. BONIFACIUS, MN

150 GALLON X 30 DIA
APPLICATOR TANK

JTP	26JUN03	SIZE	FSCM NO.	DWG NO.	REV
		A		47276/47327	

SCALE 1/16

SHEET